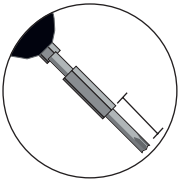
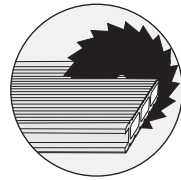
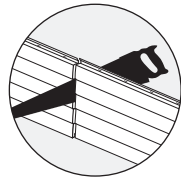


# UPM ProFi<sup>®</sup> Facade

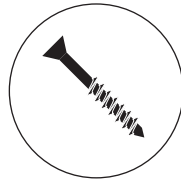
Installation Instructions/Verlegeanleitung/Instructions de montage/Installatie-instructies



# TOOLS



min. 25 mm



4x40mm



4x20,5 mm  
(for Alu Support Rails)



LOW  
MAINTENANCE



DURABLE &  
UV RESISTANT



HARD  
WEARING



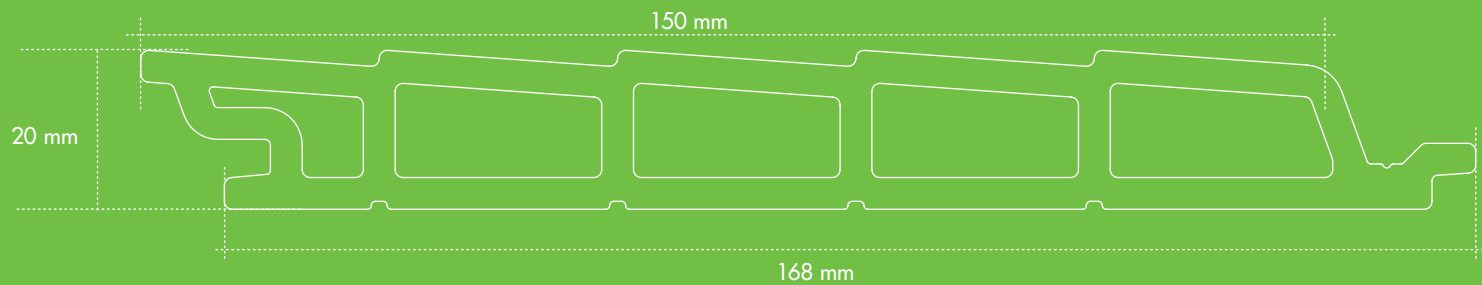
QUICK TO INSTALL



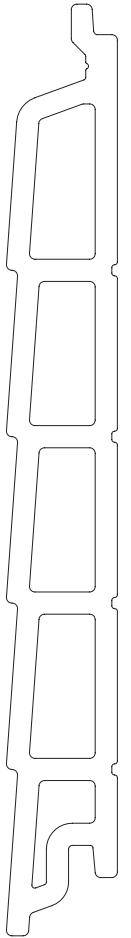
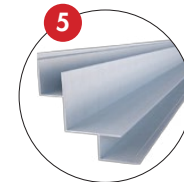
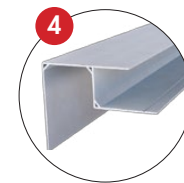
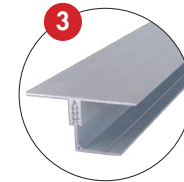
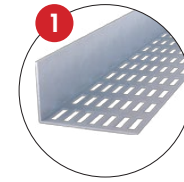
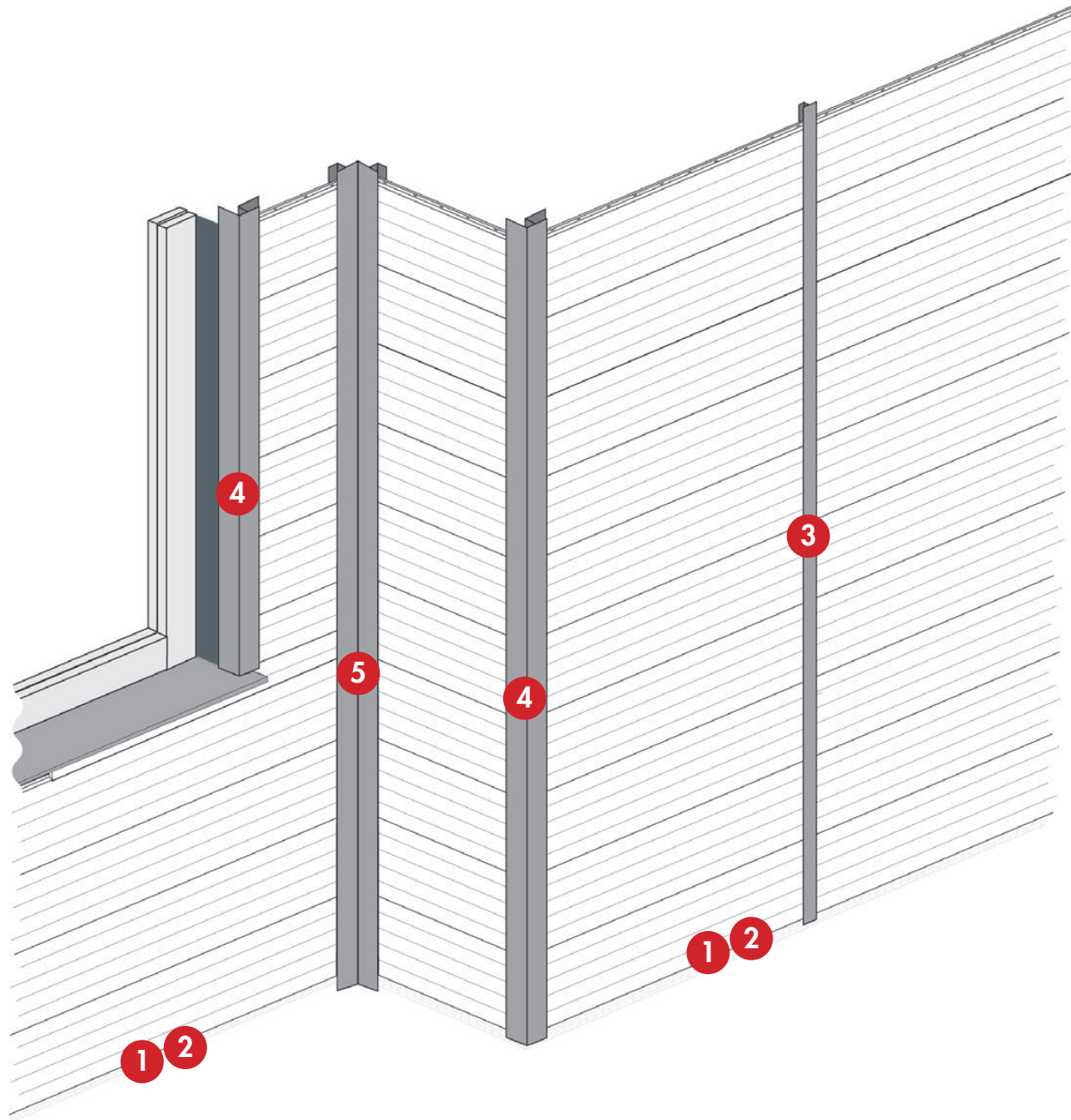
EASY TO WORK



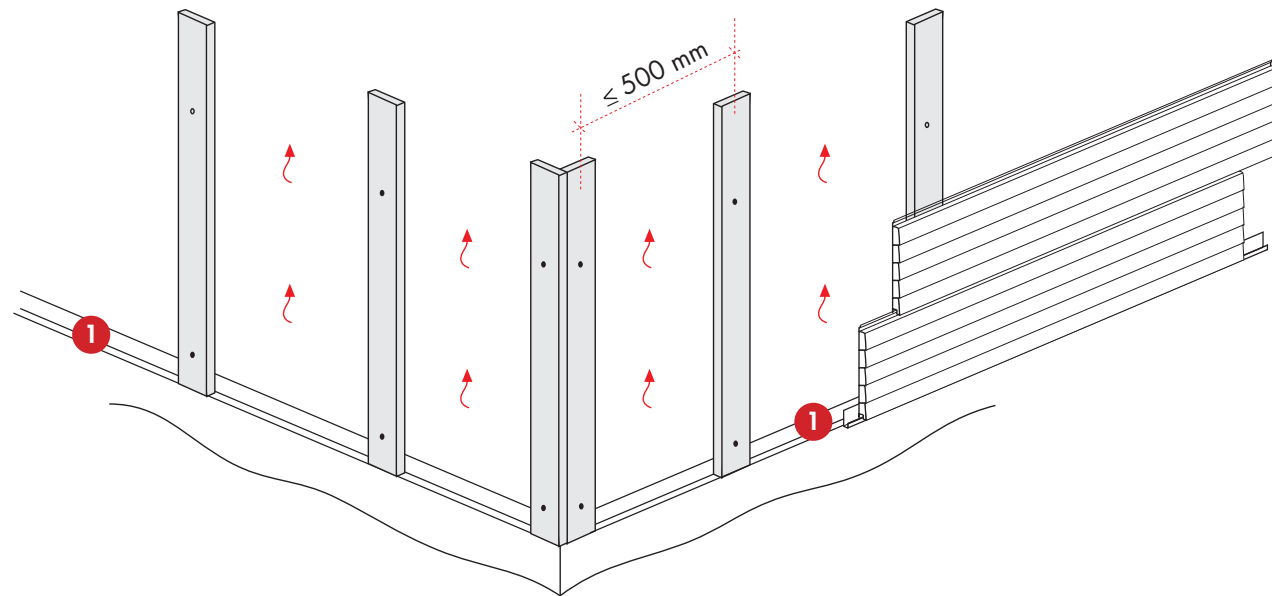
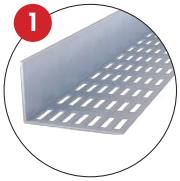
HELPING THE  
ENVIRONMENT



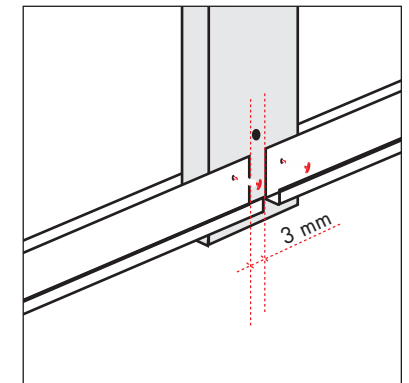
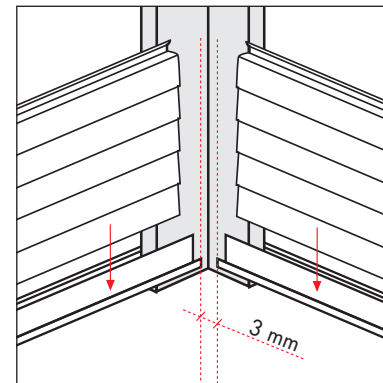
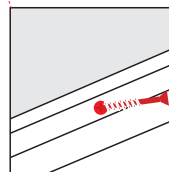
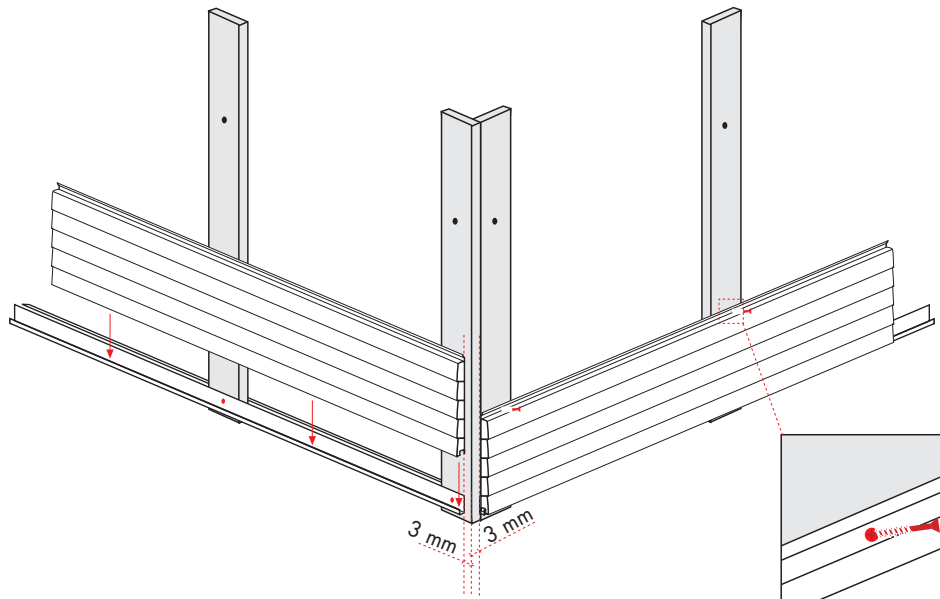
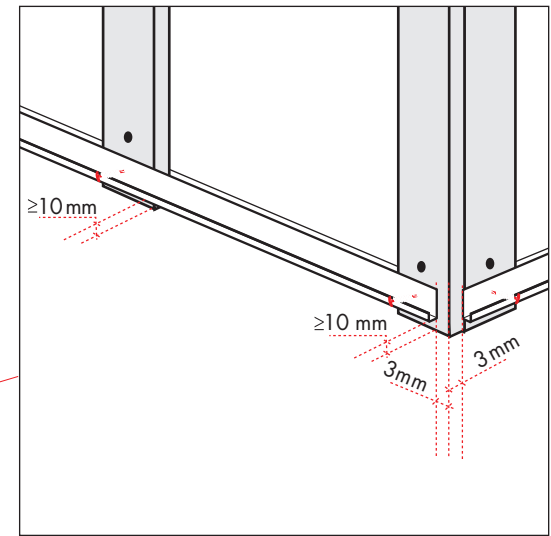
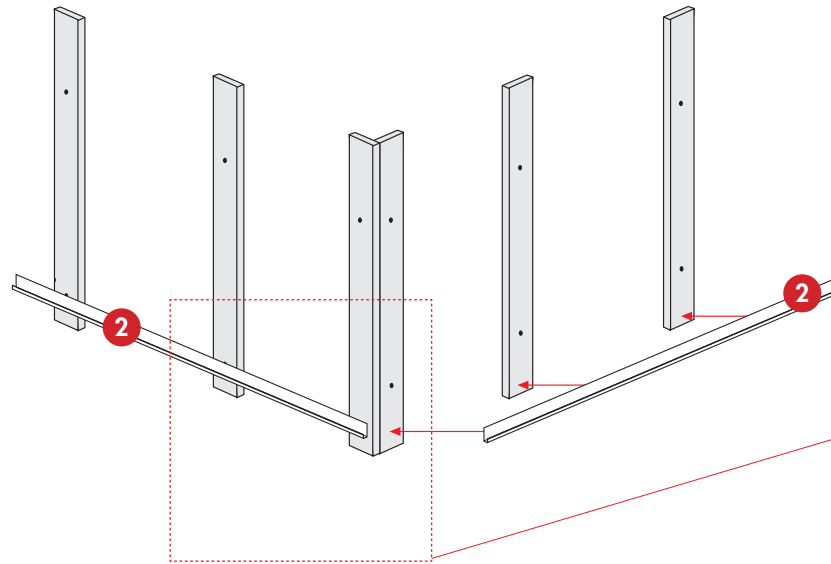
# COMPONENTS



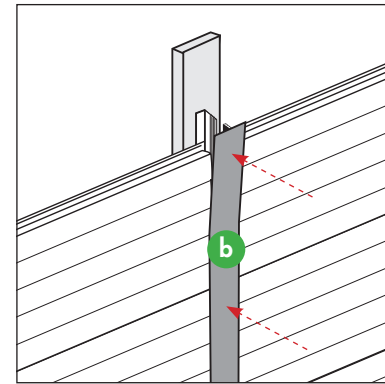
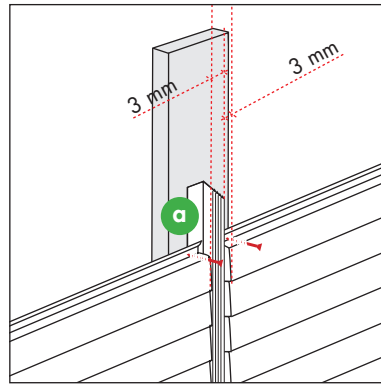
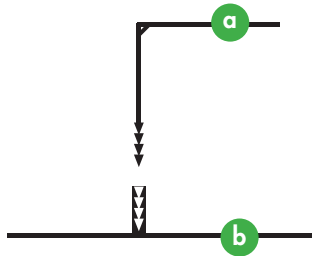
# ALU-VENTILATION PROFILE



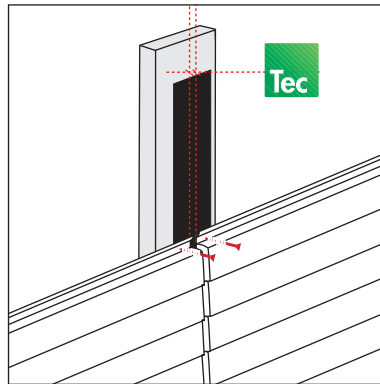
# STARTER RAIL



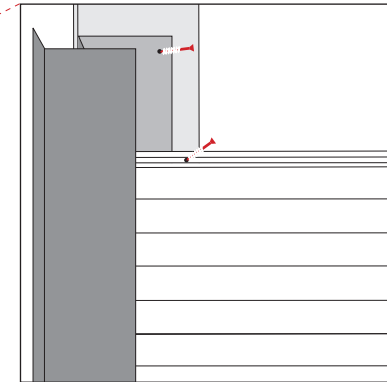
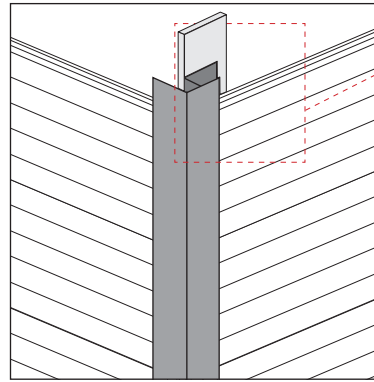
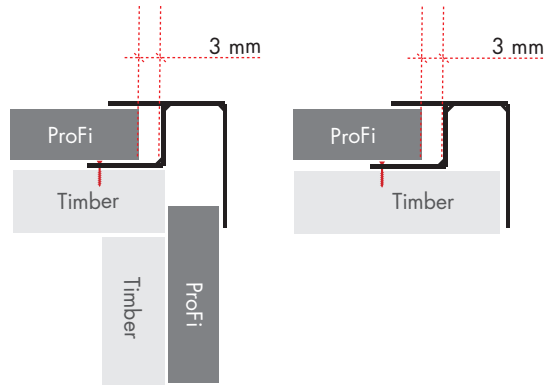
ALU-GAP  
COVER PLATE



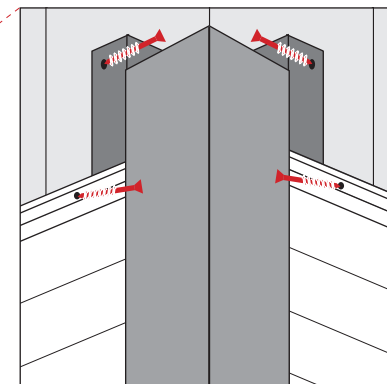
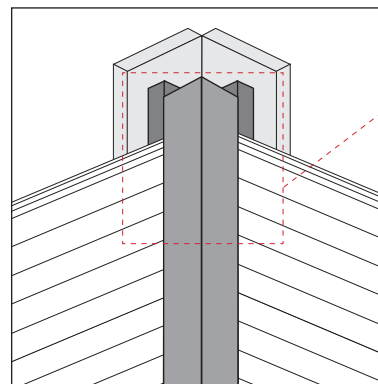
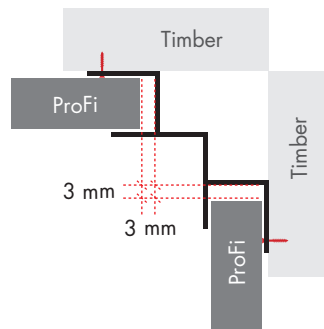
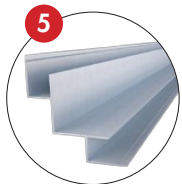
OPTION:  
GAP TAPE



## ALU-CORNER EXTERNAL



## ALU-CORNER INTERNAL



UPM Kymmene Corporation reserves the right to change and amend the information contained in this brochure at any time. The information contained in this document was correct at time of publication. For the most update version, please visit [www.upmprofi.com](http://www.upmprofi.com)